

# Electropneumatic Transducer

## Model EP313-315

### Electropneumatic Transducer

The EP-313 has an additional manual override feature. The unit can be switched to the manual mode and the branch line pressure can be increased or decreased by two independent push-button switches. This feature is most desirable for checkout/commissioning or manual operation of the pneumatic actuator. When switched back to the automatic mode, the unit will immediately start tracking the analog signal. For critical applications in which control downtime is not allowable, the manual mode can be utilized to operate the system during maintenance or controller failure.

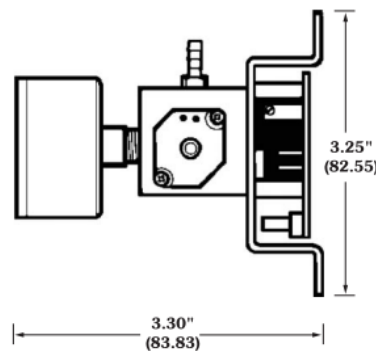
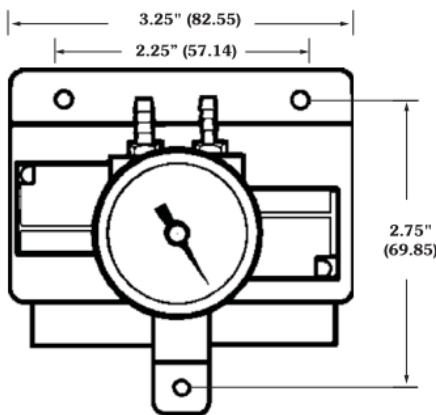
### Ordering Information

**Manual Override**

**313 (with)**

**Range**

**315 (3-15 psig)**



### CONFORMANCE & TESTING:

RoHS Compliant

EMC Testing:

BS EN 55022:1998, BS EN 55024:1998,  
EN 61000-3-3, EN 61000-4-2,  
EN 61000-4-3, EN 61000-4-4,  
EN 61000-4-5, EN 61000-4-6,  
EN 61000-4-11



Le caratteristiche dichiarate possono cambiare senza alcun preavviso



Per ordini:  
Tel.: +39 011 198 218 39  
E-mail: commerciale@asit-ge.com



**ASIT ITALIA S.r.l.**

**Sede operativa e Uffici**

Via Quintino Sella, 6 - 10020 Riva presso Chieri (TO)

T +39 011 198 218 39 - F +39 011 198 371 06

<http://www.asit-ge.com> - [info@asit-ge.com](mailto:info@asit-ge.com)

